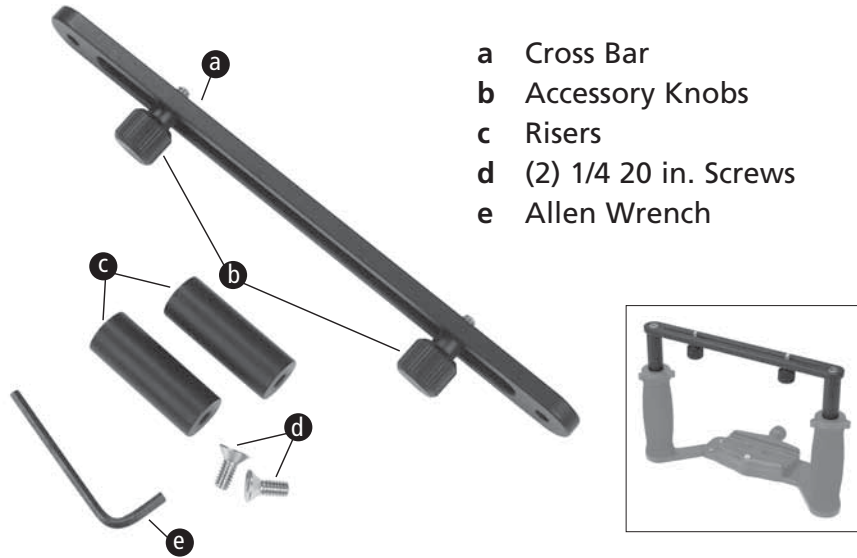


Action Grip Bracket Kit Top Mount



- a Cross Bar
- b Accessory Knobs
- c Risers
- d (2) 1/4 20 in. Screws
- e Allen Wrench

STEP ONE

1. **BRACKET KIT** requires both the AG-1N Action Grip and the AG-HK Handle Kit assembled and connected with both handles facing up.

STEP TWO

2. Screw the two **RISERS** on to the tops of both handles –hand tighten.

STEP THREE

3. Place **CROSS BAR** on **RISERS**, with **ACCESSORY KNOBS** pointing down, attach with 1/4 20 in. screws.

STEP FOUR

4. Tighten 1/4 20 in. screws with **ALLEN WRENCH**.

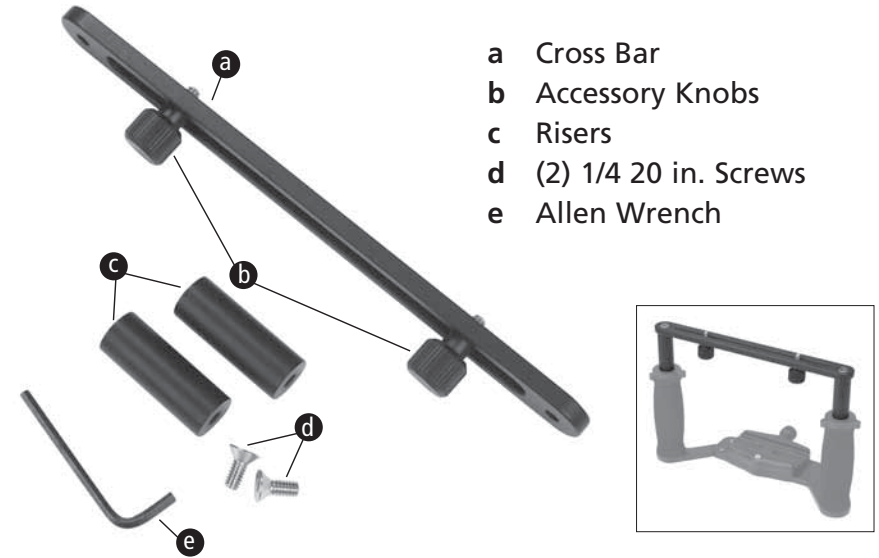


www.kirkphoto.com

800.626.5074 • 260.665.3670

333 Hoosier Drive, Angola, IN 46703-9336

Action Grip Bracket Kit Top Mount



- a Cross Bar
- b Accessory Knobs
- c Risers
- d (2) 1/4 20 in. Screws
- e Allen Wrench

STEP ONE

1. **BRACKET KIT** requires both the AG-1N Action Grip and the AG-HK Handle Kit assembled and connected with both handles facing up.

STEP TWO

2. Screw the two **RISERS** on to the tops of both handles –hand tighten.

STEP THREE

3. Place **CROSS BAR** on **RISERS**, with **ACCESSORY KNOBS** pointing down, attach with 1/4 20 in. screws.

STEP FOUR

4. Tighten 1/4 20 in. screws with **ALLEN WRENCH**.



www.kirkphoto.com

800.626.5074 • 260.665.3670

333 Hoosier Drive, Angola, IN 46703-9336