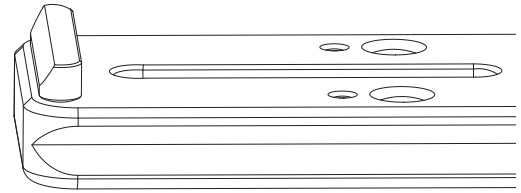
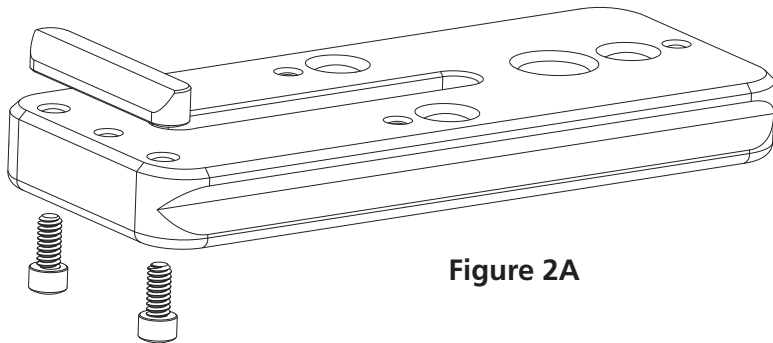


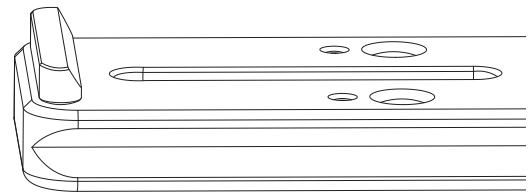
**Figure 1A**



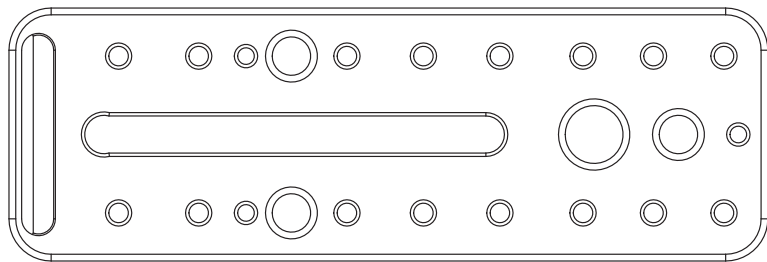
**Figure 1B**



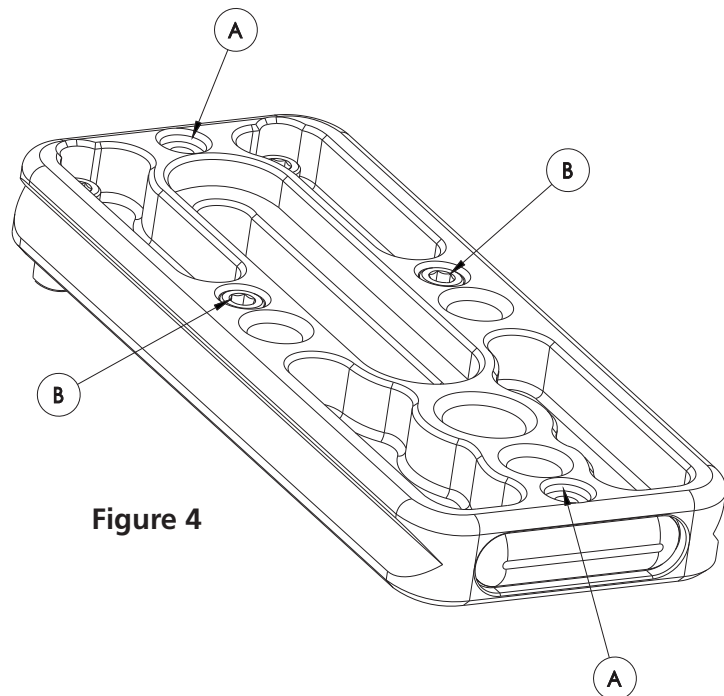
**Figure 2A**



**Figure 2B**



**Figure 3**



**Figure 4**

Your new KLP plate is equipped with a removable lip. The lip has a 30° angle on one side and 90° angle on the other side. When you receive your plate, the 90° angle is already installed as shown in **Figure 1A** and **Figure 1B**.

The reason for the two different angles is to enable you to have more of a contact point on the tripod collar. Some tripod collars that offer a close to 90° angle or slight radius, the 90° angle on the lip works best. Other tripod collars that offer a large radius or a non 90° angle, the 30° angle lip works best.

To change the lip angle to a 30° angle, simply remove the two cap screws, turn the lip to the desired angle and reinstall the cap screws as shown in **Figure 2A** and **Figure 2B**.

Some KLP plates are equipped with multiple mounting holes, as shown in **Figure 3**, allowing the lip to be positioned in different locations.

In **Figure 4**, we show the bottom view of the KLP plate with extra mounting screws -as shown in **letter B**-that can be used for the KLP-LIP in case one is lost. Also these screws can be used as optional safety stop screws in the ends of the plate as shown in **letter A**.

**If you have any questions, please feel free to call us at 1-800-626-5074**



[www.kirkphoto.com](http://www.kirkphoto.com)  
333 Hoosier Drive,  
Angola, IN 46703-9336